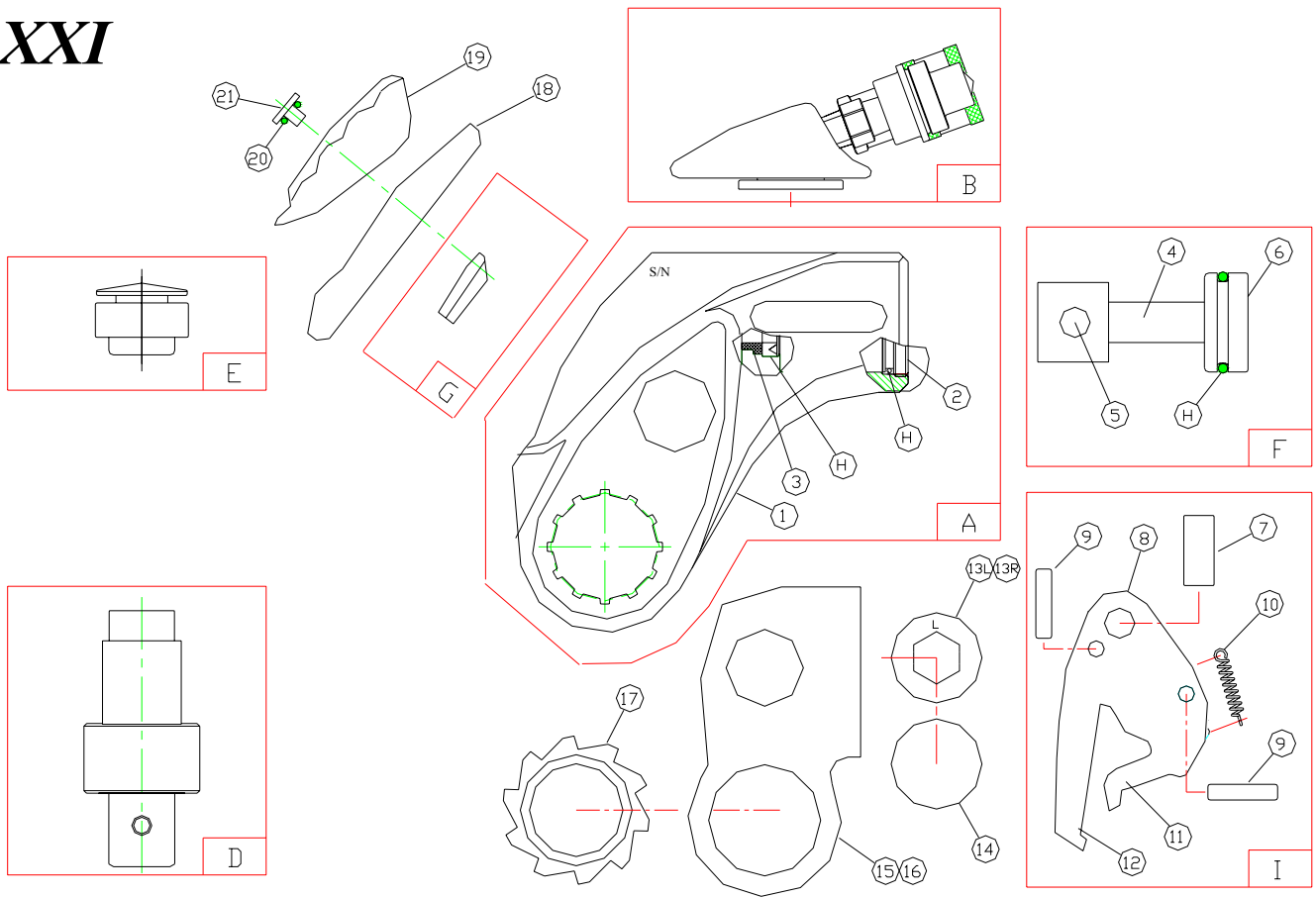


XXI



ITEM	QTY.	DESCRIPTION	XXI 1	XXI 3	XXI 5
1	1	HOUSING/CYL	XXI-01-01	XXI-03-01	XXI-05-01
2	1	END CAP	XXI-01-02	XXI-03-02	XXI-05-02
3	1	ROD BUSHING	XXI-01-05	XXI-03-05	XXI-05-05
4	1	ROD	XXI-01-04	XXI-03-04	XXI-05-04
5	1	SLIDER-DRIVE	XXI-01-06	XXI-03-06	XXI-05-06
6	1	PISTON	XXI-01-03	XXI-03-03	XXI-05-03
7	1	PIN-DRIVE	XXI-01-07	XXI-03-07	XXI-05-07
8	1	LEVER-PAWL	XXI-01-08	XXI-03-08	XXI-05-08
9	2	PIN-PAWL	XXI-01-11	XXI-03-11	XXI-05-11
10	1	SPRING-REAR PAWL	XXI-01-44	XXI-03-44	XXI-05-44
11	1	PAWL-REAR	XXI-01-10	XXI-03-10	XXI-05-10
12	1	PAWL-FRONT	XXI-01-09	XXI-03-09	XXI-05-09
13	1ea	BUSHING-TRUNNION (LH,RH)	XXI-01-15L/R	XXI-03-15L/R	XXI-05-15L/R
14	2	CAP-BUSHING	XXI-01-16	XXI-03-16	XXI-05-16
15	1	PLATE SUPPRT-RH	XXI-01-36	XXI-03-36	XXI-05-36
16	1	PLATE-SUPPORT (LH)	XXI-01-14	XXI-03-14	XXI-05-14
17	1	RATCHET	XXI-01-12	XXI-03-12	XXI-05-12
18	1	COVER-INNER	XXI-01-17	XXI-03-17	XXI-05-17
19	1	COVER OUTER	XXI-01-20	XXI-03-20	XXI-05-20
20	1	O-RING-COVER	XXI-01-58	XXI-03-58	XXI-05-58
21	1	SCREW-COVER	XXI-01-13	XXI-03-13	XXI-05-13

ASSEMBLIES AND KITS

LETTER	DESCRIPTION	XXI 1	XXI 3	XXI 5
A	HOUSING ASSEMBLY ITEMS: 1,2,3,H	XXI-01-01	XXI-03-01	XXI-05-01
B	UNISWIVEL ASSEMBLY	XXI-001	XXI-003	XXI-005
C	UNISWIVEL SEAL KIT	XXI-001-00	XXI-003-00	XXI-003-00
D	SQUARE DRIVE ASSEMBLY	XXI-01-LDD	XXI-03-LDD	XXI-05-69
E	DRIVE RETAINER ASSEMBLY	XXI-01-30	XXI-03-30	XXI-05-30
F	PISTON/ROD ASSEMBLY ITEMS: 4,5,6,H	XXI-01-60	XXI-03-60	XXI-05-60
G	DISENGAGE LEVER ASSEMBLY	XXI-01-61	XXI-03-61	XXI-05-61
H	TOOL SEAL KIT	XXI-01-62	XXI-03-62	XXI-05-62
I	DRIVE-PAWL/LEVER ASSEMBLY ITEMS: 7,8,9,10,11,12	XXI-01-63	XXI-03-63	XXI-05-63
J	MAINTENANCE KIT ITEMS: 7,9,10,14,20,21,C,H	MK-XXI1	MK-XXI3	MK-XXI5