

XLT TOOL PARTS LIST

#	DESCRIPTION	HY-.5XLT	HY-1XLT	HY-3XLT	HY5XLT
1	*Housing Complete	XLT-.5-01-E	XLT-01-01-E	XLT-03-01-E	XLT-05-01-E
3	Reaction Arm	XLT-.5-03	XLT-01-03	XLT-03-03	XLT-05-03
4	Drive Plate Universal	XLT-.5-04	XLT-01-04	XLT-03-04	XLT-05-04
5	Square Drive Square Through	XLT-.5-05-A	XLT-01-05-A	XLT-03-05-A	XLT-05-05-A
5	Square Drive Spline	XLT-.5-05-1	XLT-01-05-1	XLT-03-05-1	XLT-05-05-1
6	Ratchet Square	XLT-.5-06-A	XLT-01-06-A	XLT-03-06-A	XLT-05-06-A
6	Ratchet Spline	XLT-.5-06-1	XLT-01-06-1	XLT-03-06-1	XLT-05-06-1
7	Drive Bushing for Steel Sleeve	XLT-.5-07-0	XLT-01-07-0	XLT-03-07-0	XLT-05-07-0
7	Drive Bushing for B/A Sleeve	XLT-.5-07-1	XLT-01-07-1	XLT-03-07-1	XLT-05-07-1
8	Drive Sleeve Round Steel	XLT-.5-08-0	XLT-01-08-0	XLT-03-08-0	XLT-05-08-0
8	Drive Sleeve Square BR/ALU	XLT-.5-08-A	XLT-01-08-A	XLT-03-08-A	N/A
8	Drive Sleeve Spline BR/ALU	XLT-.5-08-1	XLT-01-08-1	XLT-03-08-1	XLT-05-08-1
10	Reaction Pawl	XLT-.5-10	XLT-01-10	XLT-03-10	XLT-05-10
11	Drive Retainer	XLT-.5-11	XLT-01-11	XLT-03-11	XLT-05-11
13	Drive Plate Roll Pin	XLT-.5-13	XLT-01-13	XLT-03-13	XLT-05-13
15	Lever	XLT-.5-15	XLT-01-15	XLT-03-15	XLT-05-15
17	Piston Connector Rod	XLT-.5-17	XLT-01-17	XLT-03-17	XLT-05-17
18	Reaction Pawl Spring	XLT-.5-18	XLT-01-18	XLT-03-18	XLT-05-18
19	Rod Pin	XLT-.5-19	XLT-01-19	XLT-03-19	XLT-05-19
20	Drive Sleeve O-Ring	XLT-.5-20	XLT-01-20	XLT-03-20	XLT-05-20
24	Piston Sleeve	XLT-.5-24	XLT-01-24	XLT-03-24	XLT-05-24
25	Piston with Seals	XLT-.5-25	XLT-01-25	XLT-03-25	XLT-05-25
26	End Cap with Screws	XLT-.5-26-1	XLT-01-26-1	XLT-03-26-1	XLT-05-26-1
26	End Cap used with E Style Housing Only	XLT-.5-26-E	XLT-01-26-E	XLT-03-26-E	XLT-05-26-E
27	Spring, Drive Pawl (2)	XLT-.5-27	XLT-01-27	XLT-03-27	XLT-05-27
28	Reaction Arm Clamp	XLT-.5-28	XLT-01-28	XLT-03-28	XLT-05-28
29	Piston Rod	XLT-.5-29	XLT-01-29	XLT-03-29	XLT-05-29
30	Retaining Ring	XLT-.5-30	XLT-01-30	XLT-03-30	XLT-05-30
31-0	Shroud, 4-Screw Type	XLT-.5-31-0	XLT-01-31-0	XLT-03-31-0	XLT-05-31-0
31-1	Shroud, Spring Type	XLT-.5-31-1	XLT-01-31-1	XLT-03-31-1	XLT-05-31-1
32	Screw, Shroud	XLT-.5-32	XLT-01-32	XLT-03-32	XLT-05-32
33	Spring, Secondary Drive Pawl	XLT-.5-33	XLT-01-33	XLT-03-33	XLT-05-33
34	Screws, End Cap	XLT-.5-34	XLT-01-34	XLT-03-34	XLT-05-34
37	Screw, RA Clamp	XLT-.5-37	XLT-01-37	XLT-03-37	XLT-05-37
38	Spring, RA Clamp	XLT-.5-38	XLT-01-38	XLT-03-38	XLT-05-38
39	Lever Screw	XLT-.5-39	XLT-01-39	XLT-03-39	XLT-05-39
40	Roll Pin, Primary DP/Reaction Pawl	XLT-.5-40	XLT-01-40	XLT-03-40	XLT-05-40
41	Roll Pin, Secondary DP	XLT-.5-41	XLT-01-41	XLT-03-41	XLT-05-41
42	Roll Pin, Reaction Pawl	XLT-.5-42	XLT-01-42	XLT-03-42	XLT-05-42
43	Reaction Arm Boost with Screws	XLT-.5-43	XLT-01-43	XLT-03-43	XLT-05-43
44	Boot Screws	XLT-.5-44	XLT-01-44	XLT-03-44	XLT-05-44
45	Screw, End Cap Jacking	XLT-.5-45	XLT-01-45	XLT-03-45	XLT-05-45
58	Screw, Shroud Spring	XLT-.5-58	XLT-01-58	XLT-03-58	XLT-05-58
59	Shroud Spring	XLT-.5-59	XLT-01-59	XLT-03-59	XLT-05-59
**	Piston Rod Assembly	XLT-.5-61	XLT-01-61	XLT-03-61	XLT-05-61
**	Seal Kit Universal	XLT-.5-62	XLT-01-62	XLT-03-62	XLT-05-62
#, ++63	Drive Pawl Assembly Kit	XLT-.5-63	XLT-01-63	XLT-03-63	XLT-05-63
#, 64	Roll Pin Kit (all roll pins)	XLT-.5-64	XLT-01-64	XLT-03-64	XLT-05-64
#00	Uniswivel Assembly	XLT-001	XLT-001	XLT-003	XLT-003
#00	Uniswivel Seal Kit	XLT-01-00	XLT-01-00	XLT-001-00	XLT-001-00

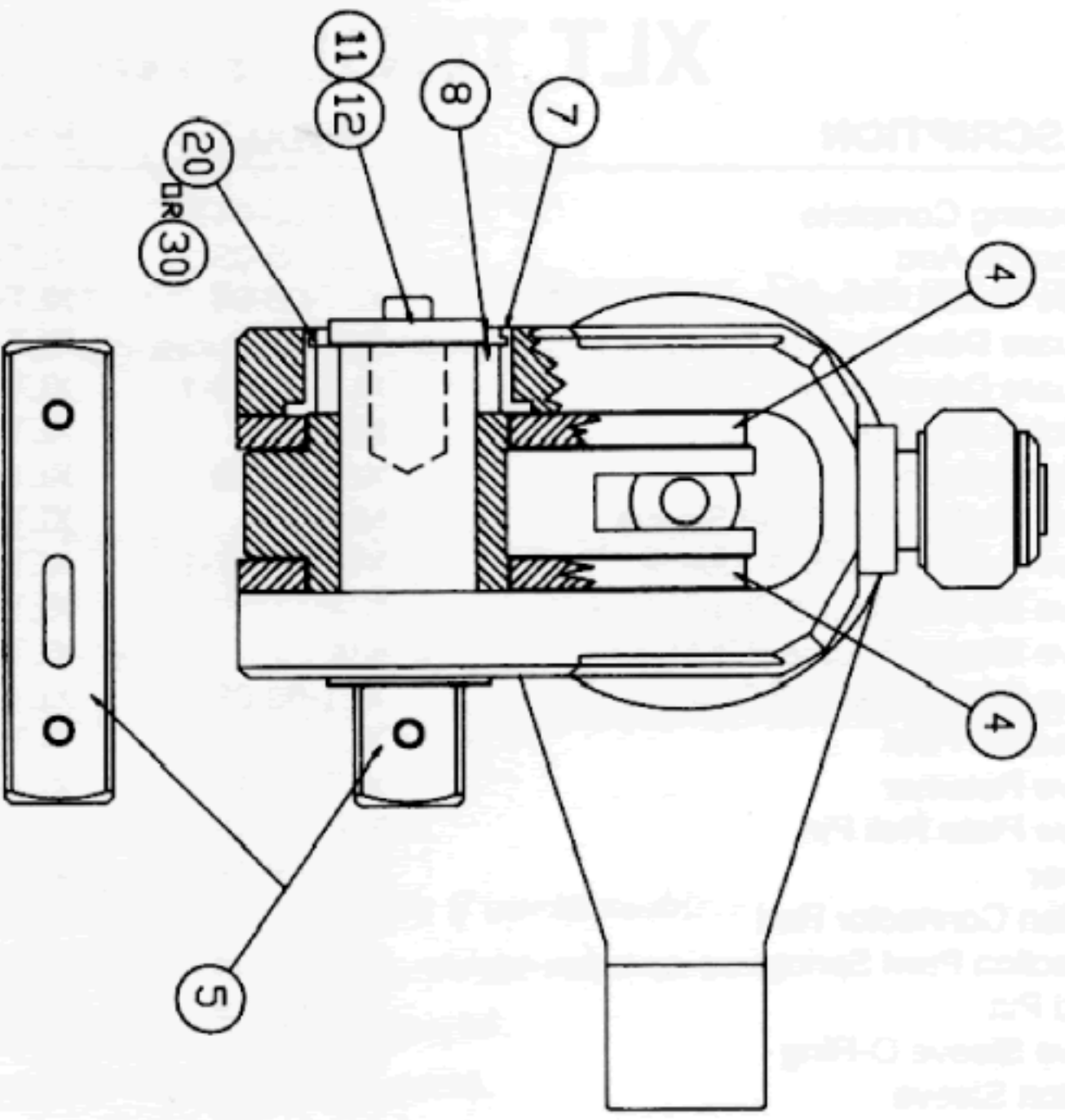
* E Series Housing includes 01-E, 07-1, 26-E and 31-1.

** Piston Rod Assembly includes 24, 25 and 29.

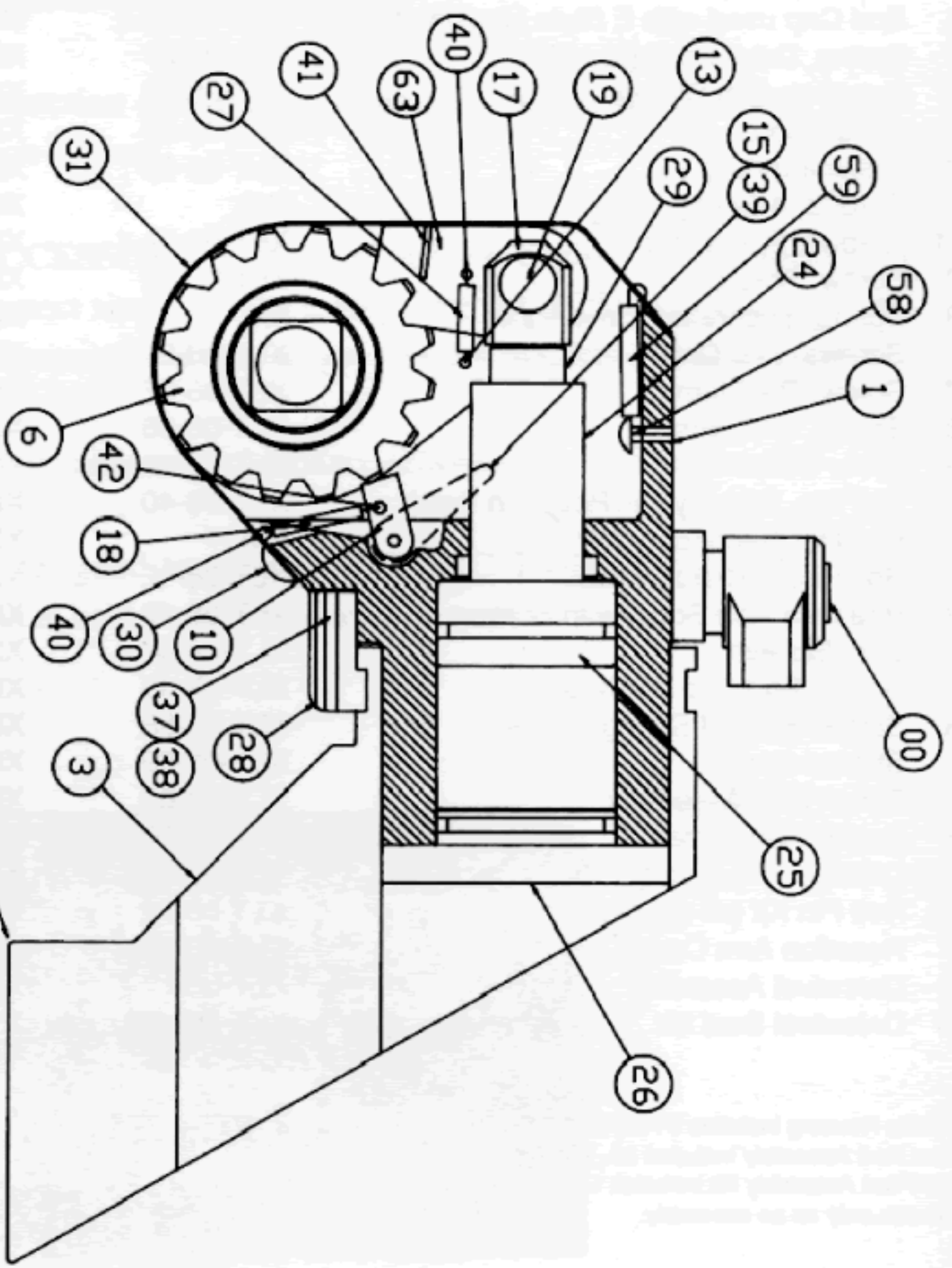
++ Drive Pawl Assembly Kit includes 10, 17, and 19.

Available only as an assembly.

Revised July 21, 1994



- ITEM 8 DRIVE SLEEVE
- STEEL -08-0 USE RETAINER -20
 - BRONZE SQ. THRU -08-A USE RETAINER -30
 - BRONZE SPLINE -08-1



- ITEM 26 END CAP
- THREADS -26-E
 - END CAP SCREW -34
 - JACK SCREW -45