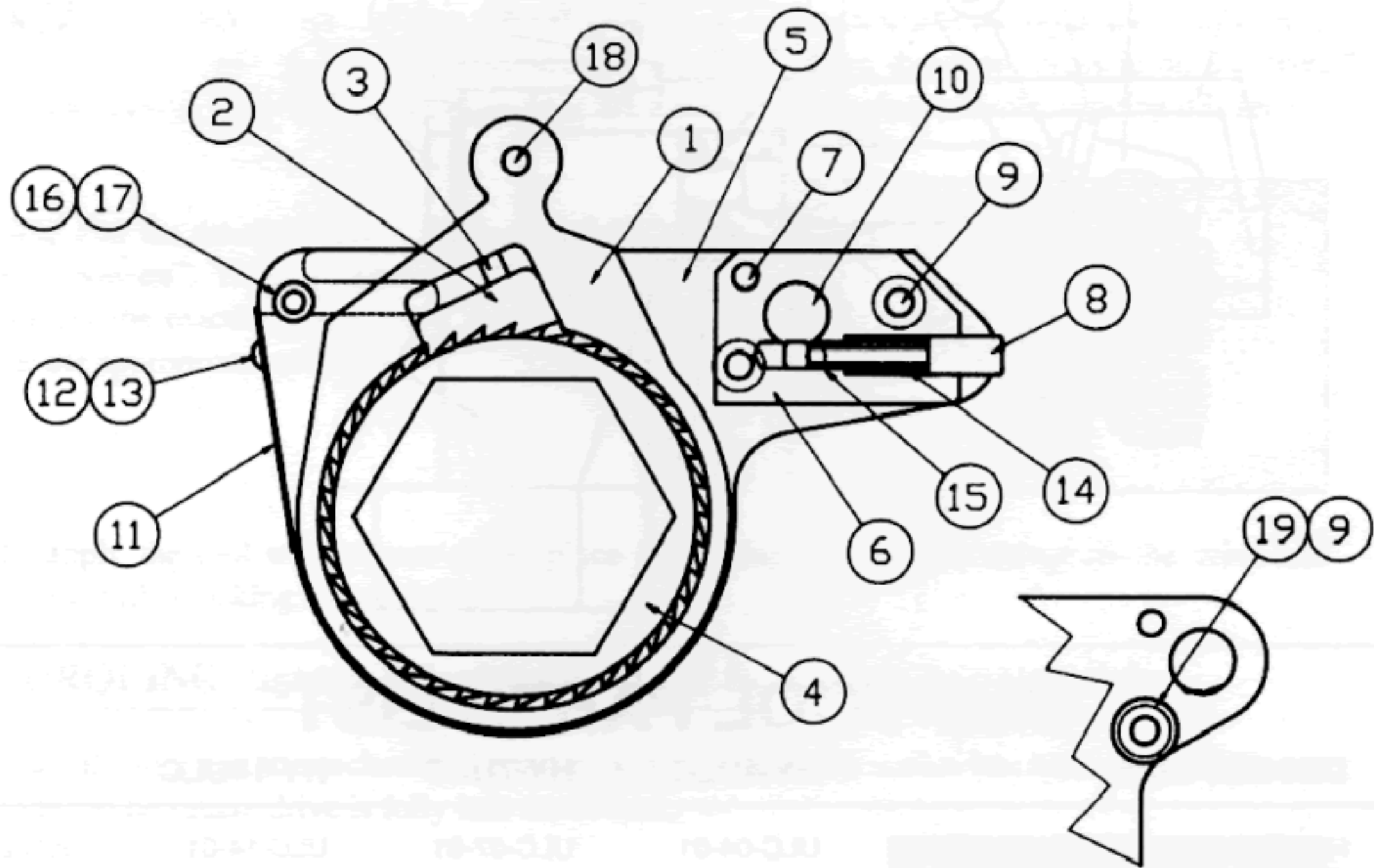


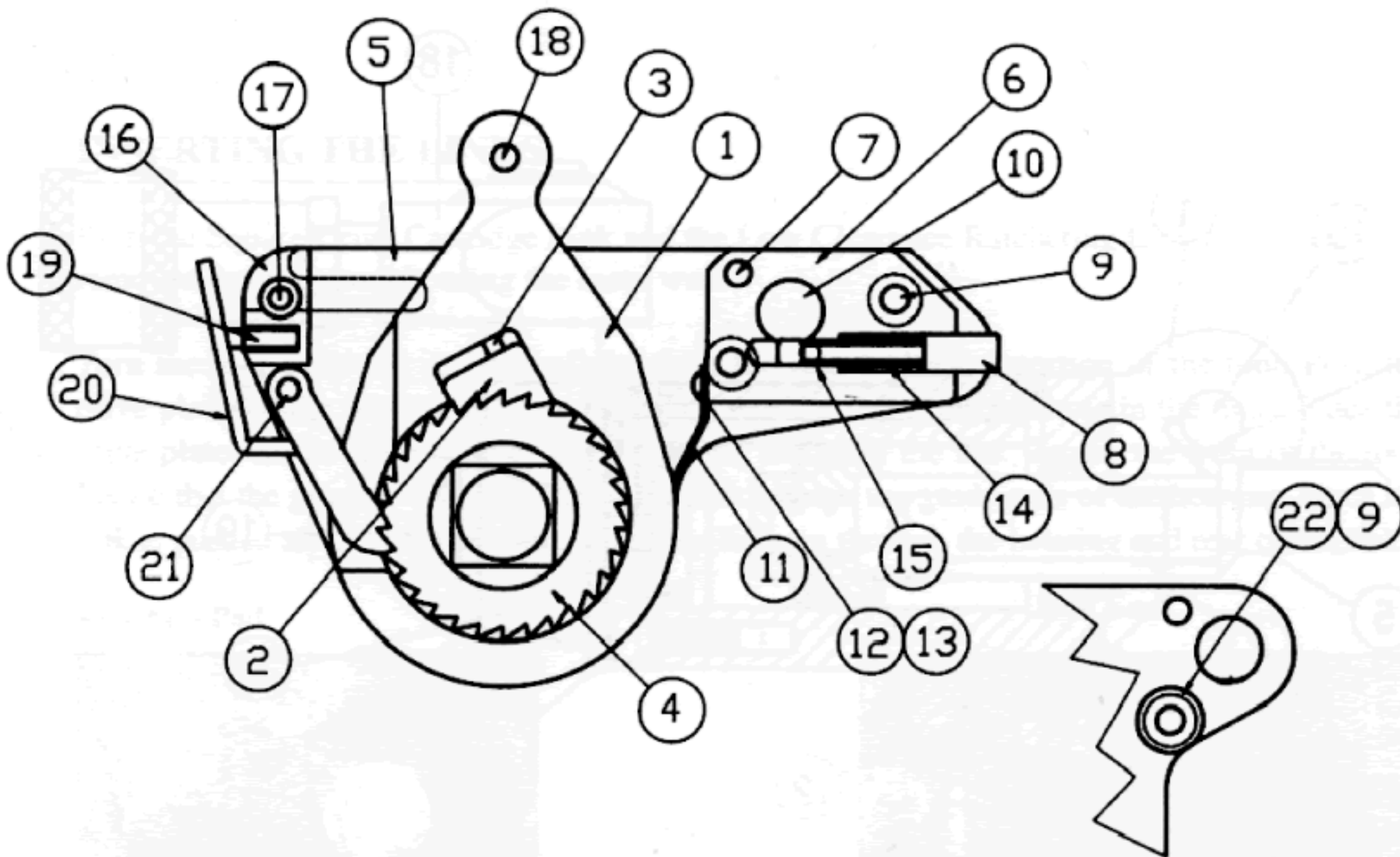
ULC TOOL PARTS LIST

#	DESCRIPTION	HY-4ULC	HY-7ULC	HY-14ULC	
1	Housing (Complete)	ULC-04-01	ULC-07-01	ULC-14-01	ULC-28-01
2	Rod End Spring	ULC-04-06	ULC-07-06	ULC-14-06	ULC-28-06
3	Rod End Spring N/S	N/A	N/A	ULC-14-06-1	N/A
	Link Pin Holder	N/A	N/A	ULC-14-13	ULC-28-13
3	Rod End Retain Pin	ULC-04-26	ULC-07-26	ULC-14-26	ULC-28-26
3	Rod End Bolt	N/A	N/A	ULC-14-26-1	N/A
4	Reaction Arm Assy (Bolt Style)	ULC-04-30-0	ULC-07-30-0	ULC-14-30-0	ULC-28-30-0
4	Reaction Arm Assy (Clamp Style)	N/A	ULC-07-30-1	ULC-14-30-1	ULC-28-30-1
5	Reaction Arm Clamp (Threaded)	N/A	ULC-07-31-0	ULC-14-31-0	ULC-28-31-0
5	Reaction Arm Clamp (Flange Type)	N/A	ULC-07-31-1	ULC-14-31-1	ULC-28-31-1
6	Reaction Arm Clamp Spring	N/A	ULC-07-32	ULC-14-32	ULC-28-32
7	Reaction Arm Bolt	ULC-04-34	ULC-07-34	ULC-14-34	ULC-28-34
8	Link Retaining Pin	ULC-04-38	ULC-07-38	ULC-14-38	ULC-28-38
8	Link Retaining Pin (Long/Thin)	N/A	N/A	ULC-14-38-1	N/A
9	Guide Bushing O/S	ULC-04-46-0	ULC-07-46-0	ULC-14-46	ULC-28-46
9	Guide Bushing N/S	ULC-04-46-1	ULC-07-46-1	N/A	N/A
10	Piston Rod Assembly	ULC-04-50	ULC-07-50	ULC-14-50	ULC-28-50
10	Piston Rod Assembly N/S	N/A	N/A	ULC-14-50-1	N/A
	Piston Sleeve	N/A	N/A	ULC-14-51-1	N/A
11	Piston Rod	ULC-04-52	ULC-07-52	ULC-14-52	ULC-28-52
	Piston Rod N/S	N/A	N/A	ULC-14-52-1	N/A
12	Piston	ULC-04-53	ULC-07-53	ULC-14-53	ULC-28-53
12	Piston N/S	N/A	N/A	ULC-14-53	N/A
13	Seal Kit	ULC-04-55	ULC-07-55	ULC-14-55	ULC-28-55
14	Cylinder End Cap	ULC-04-61	ULC-07-61	ULC-14-61	ULC-28-61
	Cylinder End Cap N/S	N/A	N/A	ULC-14-61-1	N/A
15	Rod End	ULC-04-64	ULC-07-64	ULC-14-64	ULC-28-64
	Rod End N/S	N/A	N/A	ULC-14-64-1	N/A
16	Spring Pin	ULC-04-65	ULC-07-65	ULC-14-65	ULC-28-65
	Spring Pin N/S	N/A	N/A	ULC-14-65-1	N/A
000	Uniswivel Assembly	XLT-003	ULC-007	ULC-007	ULC-007



ULC HEX LINK PARTS LIST

DRAWING NO.	DESCRIPTION	HY-4ULC	HY-7ULC	HY-14ULC	HY-28ULC
1	DRIVE PLATE	UL04-03	UL07-03	UL14-03	UL28-03
2	DRIVE PAWL	UL04-21	UL07-21	UL14-21	UL28-21
3	DRIVE PAWL SPRING	UL04-28	UL07-28	UL14-28	UL28-28
4	RATCHET (HEX LINK)	UL04-10	UL07-10	UL14-10	UL28-10
5	SIDE PLATES	UL04-02	UL07-02	UL14-02	UL28-02
6	LINK SPACER REAR (PUSH BUTTON)	UL04-39	UL07-39	N/A	N/A
7	SIDE PLATE LOCATING PIN	UL04-05	UL07-05	N/A	N/A
8	LINK PIN RETAINER	UL04-13	UL07-13	N/A	N/A
9	SIDE PLATE SCREW (LARGE)	UL04-15	UL07-15	UL14-14	UL28-14
10	LINK RETAINING PIN	UL04-38	UL07-38	UL14-38	UL28-38
11	LINK SHROUD	UL04-35	UL07-35	N/A	N/A
12	SHROUD SCREWS	UL04-37	UL07-37	N/A	N/A
13	WASHERS	UL04-40	UL07-40	N/A	N/A
14	SPRING	UL04-30	UL07-30	N/A	N/A
15	SET SCREW	UL04-31	UL07-31	N/A	N/A
16	LINK SPACER FRONT	UL04-04	UL07-04	N/A	N/A
17	SIDE PLATE SCREW (SMALL)	UL04-14	UL07-14	N/A	N/A
18	ROLL PIN	UL04-41	UL07-41	N/A	N/A
19	LINK SPACER REAR	N/A	N/A	UL14-04	UL28-04



ULC SQUARE DRIVE PARTS LIST

#	DESCRIPTION	HY-4ULC	HY-7ULC	HY-14ULC	HY-28ULC
1	Drive Plate SQ	UL04-03 SQ	UL07-03 SQ	UL14-03 SQ	UL28-03 SQ
1	Drive Plate F-SQ	UL04-03-2 SQ	UL07-03-2 SQ	N/A	N/A
2	Drive Pawl SQ	UL04-21 SQ	UL07-21 SQ	UL14-21 SQ	UL28-21 SQ
3	Drive Pawl F-SQ	UL04-21-2 SQ	UL07-21-2 SQ	N/A	N/A
3	Drive Pawl Sprint	UL04-28	UL07-28	UL14-28	UL28-28
4	Ratchet-Square Drive	UL04-11	UL07-11	UL14-11	UL28-11
4	N/S SQ Ratchet	UL04-11-2	UL07-11-2	N/A	N/A
5	L Side Plate Square	UL04-02L SQ	UL07-02L SQ	UL14-02L SQ	UL28-02L SQ
5	L Side Plate F-Square	UL04-02L-2 SQ	UL07-02L-2 SQ	N/A	N/A
5	R Side Plate Square	UL04-02R SQ	UL07-02R SQ	UL14-02R SQ	UL28-02R SQ
5	R Side Plate F-Square	UL04-02R-2 SQ	UL07-02R-2 SQ	N/A	N/A
6	Reaction Block	UL04-39	UL07-39	UL14-39	UL28-39
6	Reaction Block N/S	UL04-39-2	UL07-39-2	N/A	N/A
7	Side Plate Locating Pin	UL04-05	UL07-05	UL14-05	UL28-05
8	Link Pin Retainer	UL04-13	UL07-13	UL14-13	UL28-13
9	Side Plate Screw	UL04-15 SQ	UL07-15 SQ	UL14-14	UL28-14
10	Link Retaining Pin	UL04-38	UL07-38	UL14-38	UL28-38
11	Link Shroud	UL04-35 SQ	UL07-35 SQ	UL14-30-N	UL28-35
12	Shroud Screws	UL04-37	UL07-37	UL14-37	UL28-37
13	Screw Washer	UL04-40	UL07-40	UL14-40	UL28-40
14	Locking Pin Spring	UL04-30	UL07-30	N/A	N/A
15	Locking Pin Set Screw	UL04-31	UL07-31	N/A	N/A
16	Reaction Pawl Spacer	UL04-18	UL07-18	UL14-18	UL28-06
17	Side Plate Screw	UL04-14	UL07-14	UL14-14	UL28-14
18	Drive Plate Rod Pin	UL04-41	UL07-41	UL14-41	UL28-41
19	Reaction Pawl Spring	UL04-16	UL07-16	UL14-16	UL28-16
20	Reaction Pawl	UL04-17	UL07-17	UL14-17	N/A
21	Reaction Pawl Pin	UL04-15 SQ	UL07-15 SQ	UL14-15	N/A
22	Link Spacer Rear	N/A	N/A	UL14-04-R UL14-04-F	UL28-06