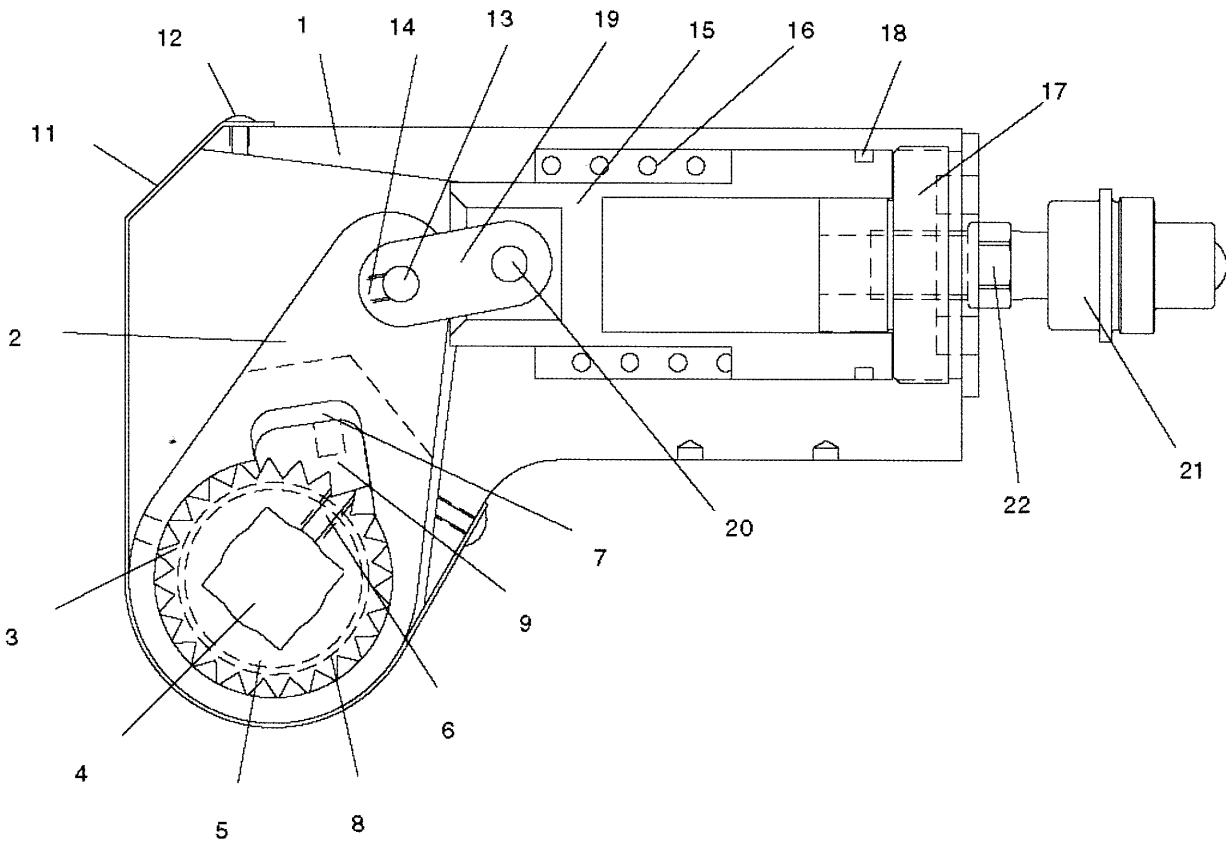


# F SERIES PARTS LIST



Item No.	Description	F0.5	F1	F3
1	Housing	FP5-01	F1-01	F3-01
2	Drive Plate	FP5-03	Y1-03	Y3-03
3	Ratchet	FP5-10	Y1-10	Y3-10
4	Square Drive	FP5-11	Y1-11	Y3-11
5	Sleeve (2 Rod)	FP5-12	Y1-12	Y3-12
6	Set Screw- Ratchet	FP5-13	Y1-13	Y3-13
7	Spring - Drive Segment	FP5-14	Y1-14	Y3-14
8	O-Ring - Sleeves	FP5-15	Y1-15	Y3-15
9	Drive Segment	FP5-20	Y1-20	Y3-20
10	Reaction Arm (Not Shown)	FP5-30	F1-30	F3-30
10a	Reaction Stud (Not Shown)	FP5-31	F1-31	F3-31
10b	Reaction Arm Lock (Not Shown)	FP5-33	F1-33	F3-33
11	Shroud	FP5-35	Y1-35	Y3-35
12	Shroud Screw	FP5-36	Y1-36	Y3-36
13	Drive Pin	FP5-38	Y1-38	Y3-38
14	Set Screw - Rod End	FP5-39	Y1-39	Y3-39
15	Cylinder Rod	FP5-51	Y1-51	Y3-51
16	Return Spring	FP5-52	Y1-52	Y3-52
17	Piston End Cap	FP5-53	F1-53	F3-53
18	O-Ring - Piston Endcap	FP5-54	Y1-54	Y3-54
19	Rod End	FP5-61	Y1-61	Y3-61
20	Roll Pin Rod End	FP5-63	Y1-63	Y3-63
21	Male Coupler	090155	090155	090155
22	Hex Nipple	090101	090101	090101